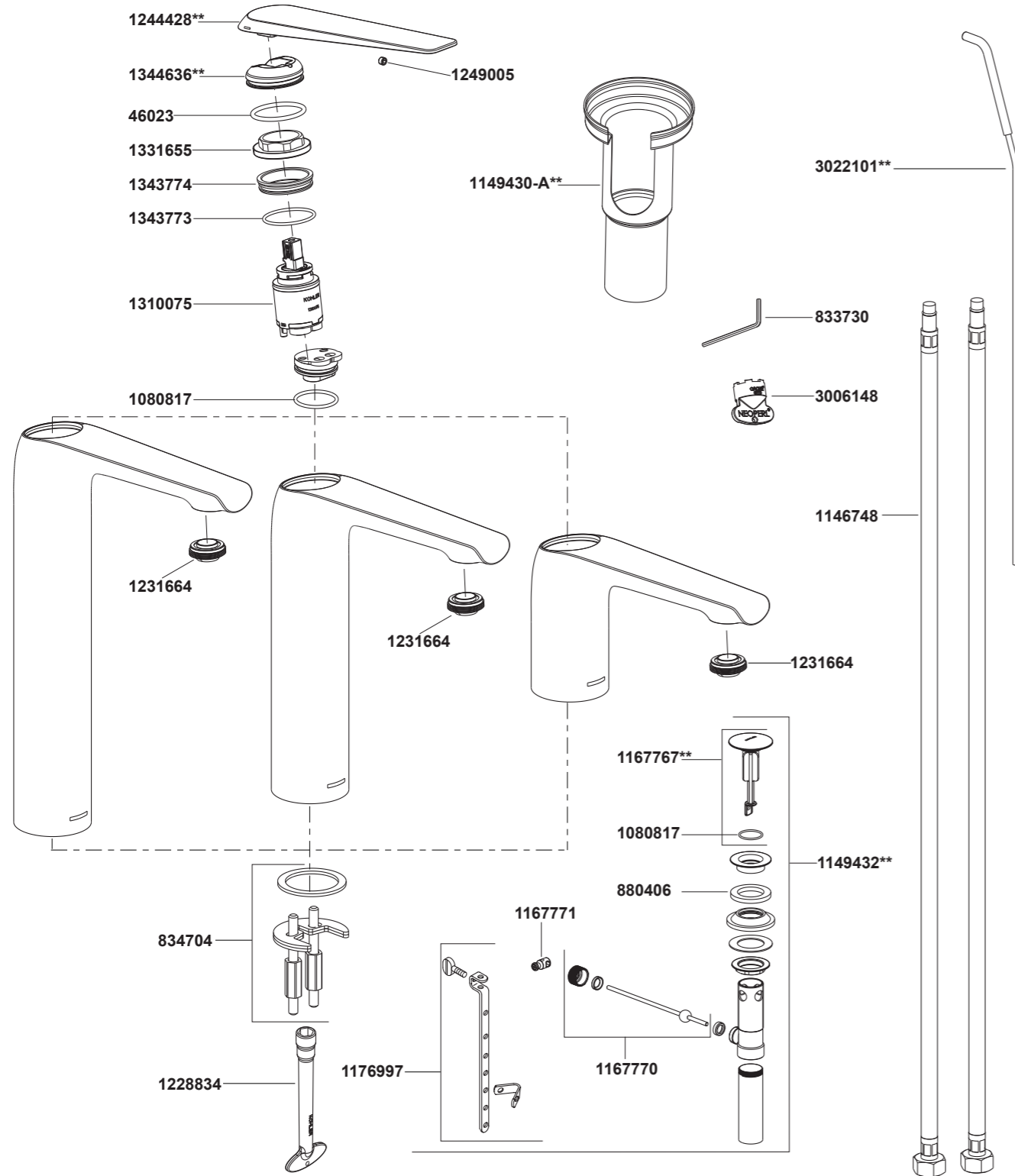


- 97345T-4 Single Handle Lavatory Faucet
- 97347T-4 Tall Single Handle Lavatory Faucet
- 97348T-4 Super Tall Single Handle Lavatory Faucet



\*\*Color code must be specified when ordering.

**NOTE:** For all Asia pacific regions (excluding China) add SP (SPxxxxxx\*\*) in front of the part number when ordering.

- 97345T-4 Single Handle Lavatory Faucet
- 97347T-4 Tall Single Handle Lavatory Faucet
- 97348T-4 Super Tall Single Handle Lavatory Faucet

### BEFORE YOU BEGIN

All information is based on the latest product information available at the time of publication. Kohler Co. reserves the right to make changes in product characteristics, packaging, or availability at any time without notice.

Please leave these instructions for the consumer. They contain important information.

### NOTES:

1. Flush the water supply pipes thoroughly to remove debris.
2. If possible, install this faucet before installing the lavatory.
3. Inspect the supply tubing for damage and leakage. Replace and maintain as necessary.
4. Observe local plumbing codes.
5. Shut off the water supplies to the fitting.

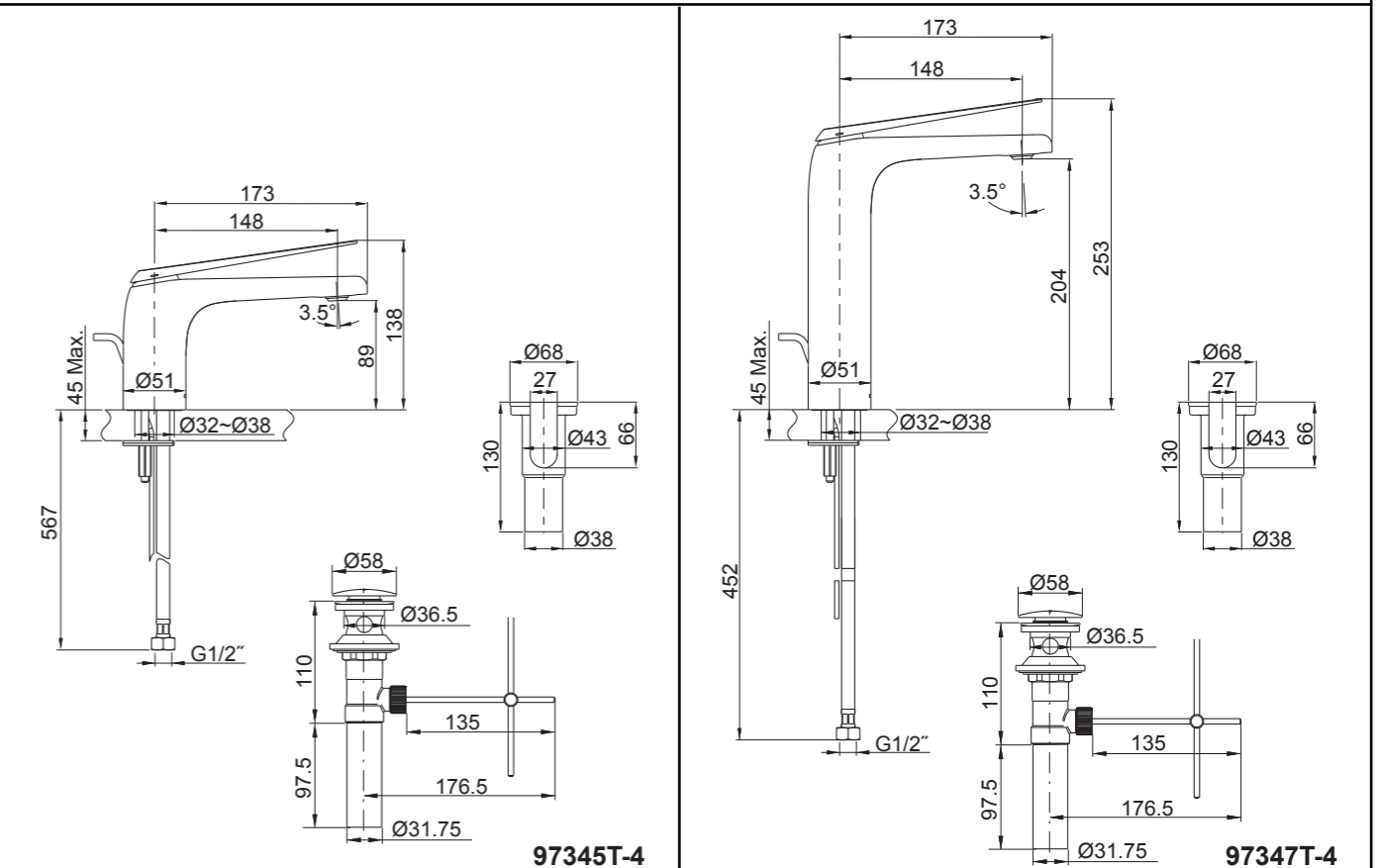
### HANDLE OPERATION

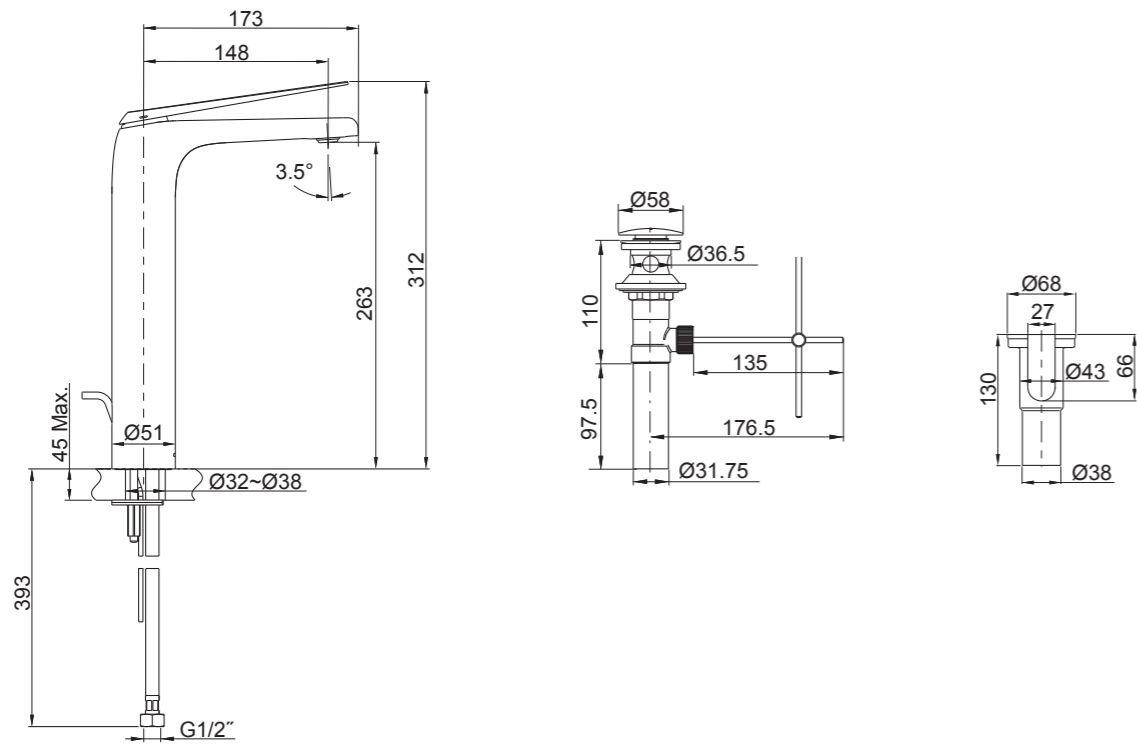
Lift handle gently. Turn clockwise for hot water, turn counter-clockwise for cold water.

### STANDARD APPLICABLE

Special model meets or exceeds the following at date of manufacture: TIS

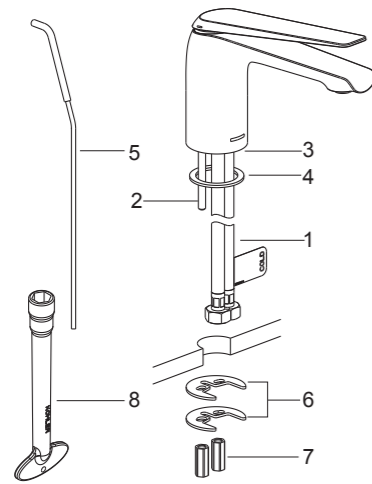
### ROUGH-IN DIMENSIONS





97348T-4

## INSTALLATION



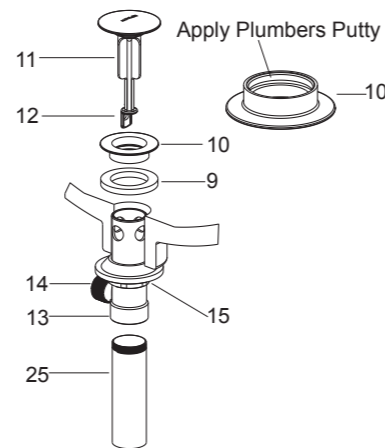
①

### How to Install the Spout

If needed to take off the hoses to repair, reinstall and tighten them by hand. Install the mounting studs(2) onto the faucet body base(3). Insert lift rod(5) to the hole at the rear of the body. Slide the washer(4) over the flexible hoses(1) and mounting studs, and into the groove at the bottom of the faucet body.

Insert the faucet assembly into the lavatory hole. Position the faucet. From underside of the lavatory, place the brackets(6, Rubber washer is on the top) onto the mounting studs. Tighten the nuts(7) by wrench(8) to secure the faucet.

Attach the hoses to water supplies. The hose with "COLD" label connects to cold water.



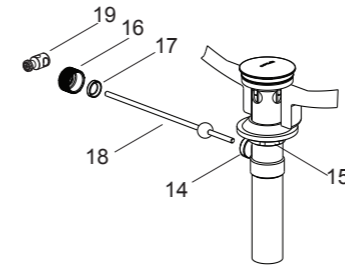
②

### How to Install the Drain

Remove stopper(11), flange(10), washer(9) and tailpiece(25) from drain body(13). Supply enough tape or sealant to tailpiece thread. Reinstall the tailpiece. Insert drain body kit into the lavatory from underside, and make sure the drain lever hole(14) facing to the back of the lavatory. Screw the flange with washer into the drain body. Tighten the locknut(15) by hand from the underside of the fixture.

**NOTE:** If needed, apply a ring of plumbers putty around the underside of the drain flange(10), instead of using washer(9).

Place stopper(11) into drain body aligning the flat side of stopper hole(12) with the drain lever hole.

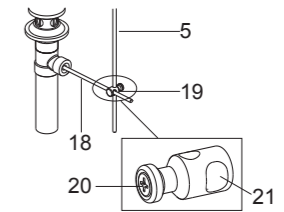


③

Remove the latch(19) and retaining nut(16). Fit the plastic washer(17) and retaining nut onto the ball lever(18). Insert the ball lever assembly into the drain lever hole and through the stopper hole. Tighten the retaining nut.

Be sure that the ball lever(18) points to the back of the lavatory, tighten the locknut(15) on the drain body by wrench.

**NOTE:** Do not reposition the drain if plumbers putty applied after the locknut is tightened, or you may break the putty seal. Wipe away excess plumbers putty.



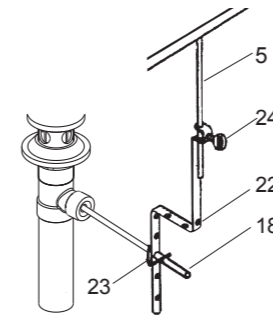
④

### How to Install the Lift Rod Kit

Select the connection of the drain and the lift rod according the dimension of lavatory.

Way 1: Select the latch(19)

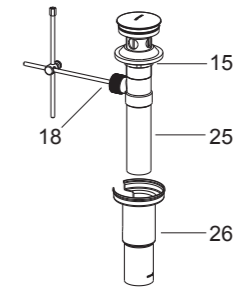
Insert the ball lever rod(18) into the bigger hole(21) of the latch(19). Insert the lift rod into the other hole of latch. Push the ball lever rod down to the open position. Tighten the screw(20) on the latch.



⑤

Way 2: Select the link kit(24, 22 & 23).

According to the lift rod length, bend the link(22). Connect the link onto ball lever rod with "V" clip(23). Slide lift rod(5) into the hole on link. Push the ball lever rod(18) down to the open position. Tighten thumb screw(24).



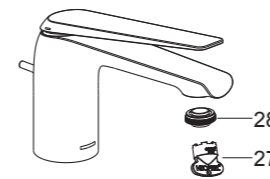
⑥

### How to Install the Drain Shroud

Slide drain shroud(26) with slot facing toward the back, up over tailpiece(25) and around ball lever rod(18), until contact with locknut(15) on the drain. **NOTE:** At this point, tighten the drain shroud.

Connect the tailpiece to the trap. The tailpiece should extend 25mm to 40mm into the trap.

## INSTALLATION CHECKOUT



Ensure that all connections are tight. Ensure that the handle is in the off position.

Open the drain. Turn on main water supply and check for leaks. Repair as required.

Remove aerator(28) by key(27). Turn the faucet handle on and run hot and cold water through spout about one minute to remove any debris. Remove any debris from aerator. Shut faucet off and reinstall aerator.

## CLEANING INSTRUCTIONS

All Finishes: Clean the finish with mild soap and warm water. Wipe entire surface completely dry with clean soft cloth. Many cleaners may contain chemicals, such as ammonia, chlorine, toilet cleaner etc, which could adversely affect the finish and are not recommended for cleaning.

Do not use abrasive cleaners or solvents on Kohler faucets and fittings.